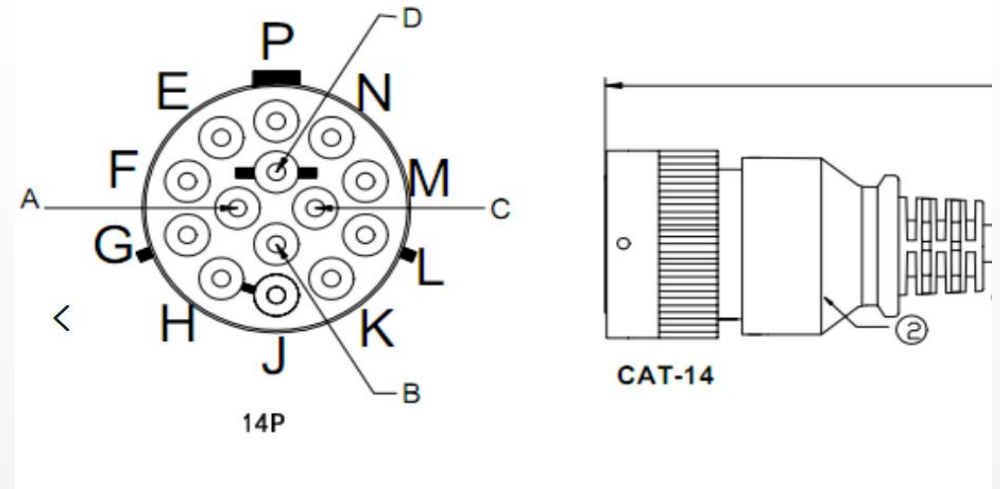
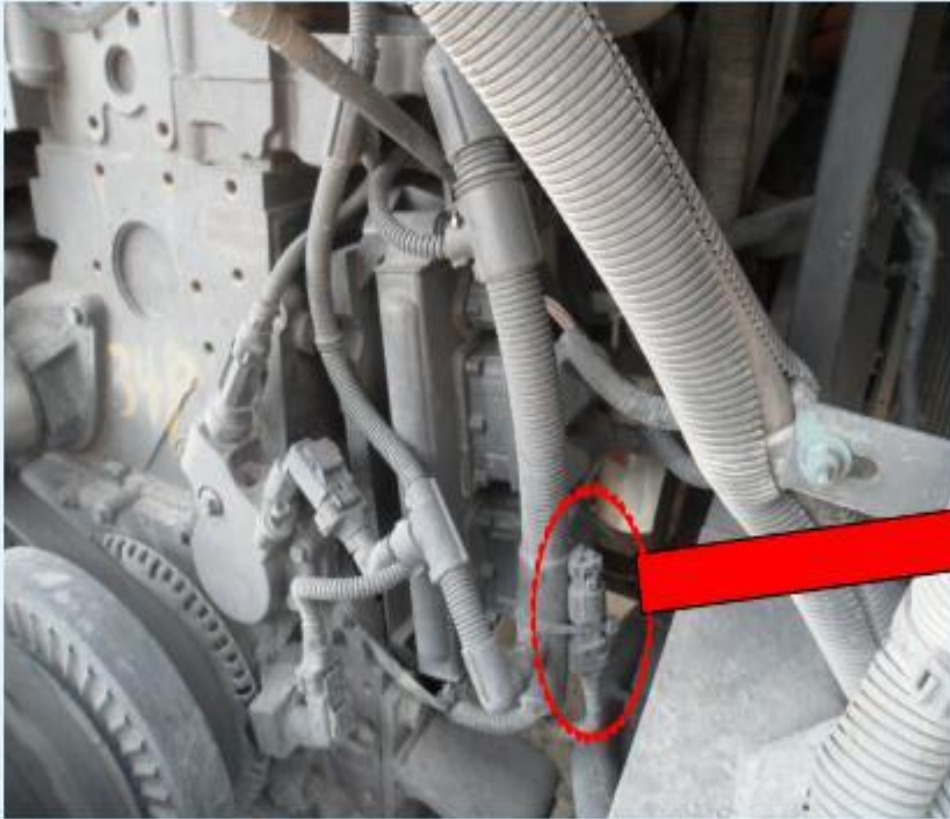


1. Caterpillar 14-pin



Cat 14-Pin#	Description	OBD-16 Pin #	Remarks
A	Ground	4+5	GND
B	+12V	16	ACC
C	CAN/J1939 Hi	6	J1939+
D	CAN/J1939 Lo	14	J1939-
E	CAN/J1939 Shield	8	
F	ATA/J1587/J1708 Hi	12	J1708+
G	ATA/J1587/J1708 Lo	13	J1808-
H	CAT Data Link (CDL) Hi	7	CDL+
J	CAT Data Link (CDL) Lo	15	CDL-
K			
L			
M			
N			
P			

2. Cummins 3-pin



The location of the 3-pin connector ,near the ECU



Cummins 3-pin connector

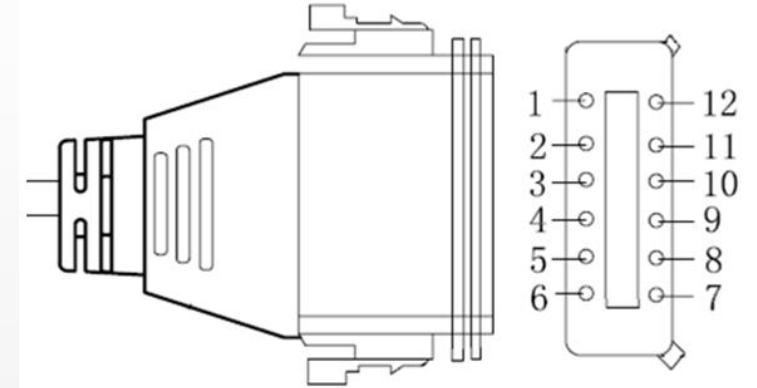
3. Komatsu 12-Pin



The location of Komatsu 12-pin connector



Komatsu Construction Equipment 12-Pin Rectangular Connector



Komatsu 12Pin #	OBDII 16pin #	Voltage	Remarks
1	16	24.7V	Power
2	1	24.7V	Ignition
3	6	2.6V	CAN+
4		None	
5		None	
6	7	23.9V	K-LINE
7		None	
8		None	
9	4	0V	Chassis Ground
10	14	2.1V	CAN-
11		None	
12	5	Ground	Signal Ground